

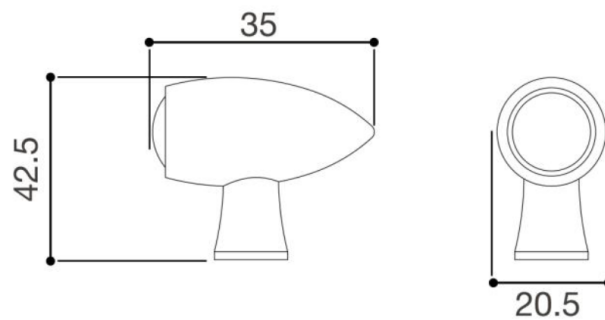
E4

E4-50R-002426

Issued by:	Kraftfahrt-Bundesamt Fördestraße 16, 24944 Flensburg Germany
Place & Date of type-approval:	DE-24932 Flensburg, 02.12.2014
Report No.:	2174841-PHO 14-316-11
Issued by:	TÜV SÜD AUTOMOTIVE GMBH DE-80686 München
Date of issue:	06.11.2014
Approval identification:	E4-50R-002426

Product Codes: FR151B, FR151CH, TS151B, TS151CH.

Technical Drawing:



Marking:	Printed in low relief by stamping.
Field of application:	2 or 3 wheel motorcycles and vehicles treated as such. (PTWs, ATVs, Scooters, Motorcycles, Moped)

