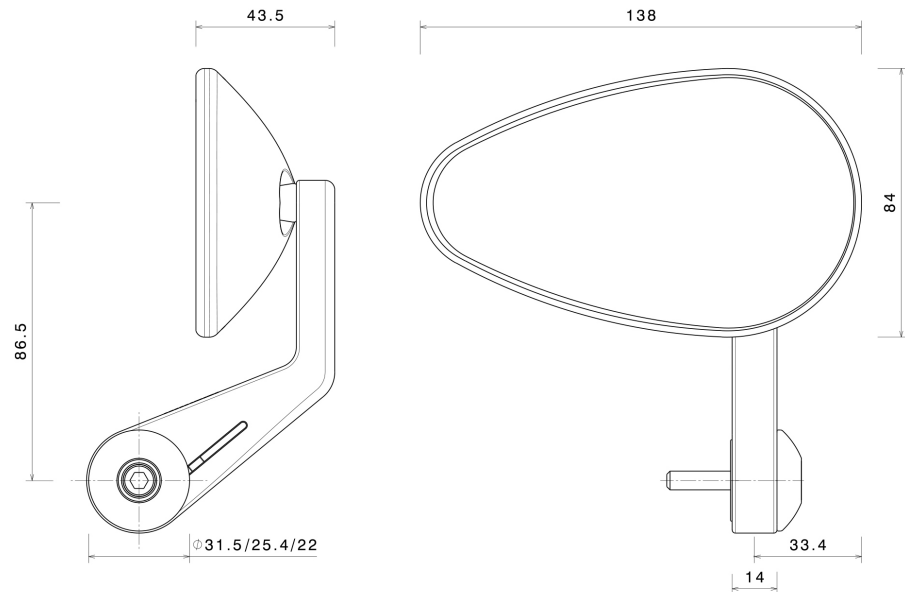


E1 81R00/02 0075 02

Issued by:	Kraftfahrt-Bundesamt Fördestraße 16 24932 Flensburg Germany
Place & Date of type-approval:	Flensburg, 20.03.2024
Report No.:	17-00073-CP-BWG-02
Issued by:	TÜV SÜD Auto Service GmbH DE-80686 München
Date of issue:	21.02.2024
Approval identification:	E1 81R00/02 0075 02

Product Codes: BS233A, BS233B

Technical Drawing:



Marking:	Engraved by laser.
Field of application:	2 or 3 wheel motorcycles and vehicles treated as such. (PTWs, ATVs, Scooters, Motorcycles, Moped)